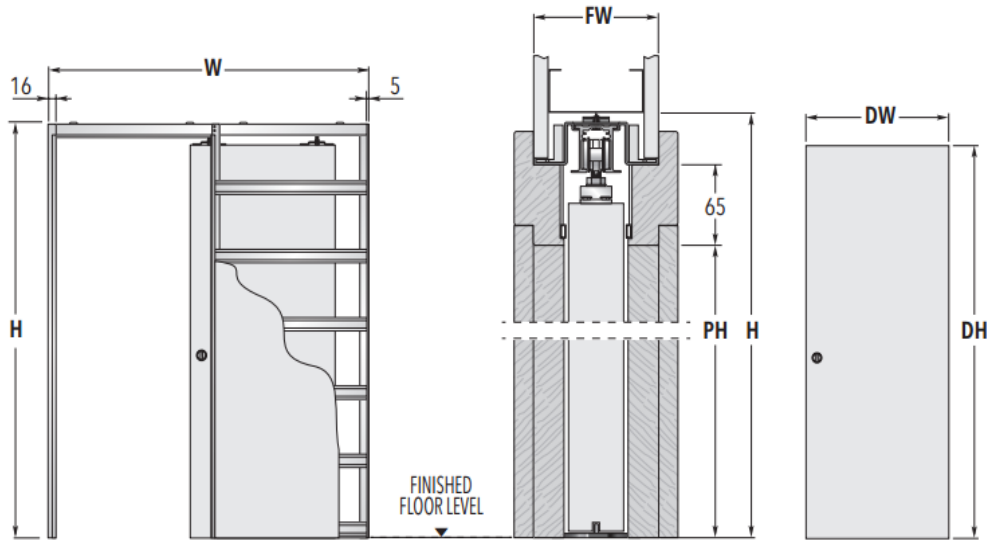
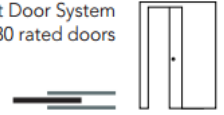


ECLISSE CLASSIC SINGLE FIRE RATED

Single Fire rated Pocket Door System
For FD30 rated doors

SINGLE FD30 POCKET DOORS SYSTEM



N.B.: Non standard sizes on request

FRAMES FOR SINGLE DOORS				DOOR PANEL UK & ROI		NOTES
	Max. Passage Size PW x PH	Overall Dimension W x H	Finished Wall	Standard		Suitable for use with 35-44mm thick doors Max. door weight 80kg. When fitting flush pull handles we recommend the stop be regulated so the door protrudes from the pocket to avoid risk to fingers. Should the door be set to enter the pocket completely we do not accept any liability. Doors, plasterboard and final architrave not supplied.
				DW	DH	
UK STANDARD	578 x 2010	1288 x 2115	100	626	2040	Should the door be set to enter the pocket completely we do not accept any liability. Doors, plasterboard and final architrave not supplied.
	678 x 2010	1488 x 2115	100	726	2040	
	778 x 2010	1688 x 2115	100	826	2040	
	878 x 2010	1888 x 2115	100	926	2040	
	978 x 2010	2088 x 2115	100	1026	2040	
	563 x 1951	1273 x 2056	100	2ft. 0in. x 6ft. 6in (610 x 1981mm)		
	639 x 1951	1449 x 2056	100	2ft. 3in. x 6ft. 6in. (686 x 1981mm)		
	715 x 1951	1625 x 2056	100	2ft. 6in. x 6ft. 6in. (762 x 1981mm)		
	791 x 1951	1701 x 2056	100	2ft. 9in. x 6ft. 6in. (838 x 1981mm)		
	878 x 1951	1888 x 2056	100	3ft. 0in. x 6ft. 6in. (914 x 1981mm)		
ROI STANDARD	653 x 1951	1463 x 2056	100	2ft. 4in. x 6ft. 6in. (711 x 1981mm)		
	715 x 1951	1625 x 2056	100	2ft. 6in. x 6ft. 6in. (762 x 1981mm)		
	753 x 2000	1665 x 2105	100	2ft. 8in. x 6ft. 8in. (813 x 2032mm)		
	828 x 2000	1838 x 2105	100	2ft. 10in. x 6ft. 8in. (864 x 2032mm)		

*dimesions are given in mm.