



FritsJurgens®

FritsJurgens Pivot Door System

System4

PIVOT DOOR SYSTEMS

The FritsJurgens pivot door hinges stand out from other hinges in that all the technology is in the door. This makes the interface with the floor and the ceiling subtle and stylish.



Nothing in the floor or the ceiling



Very high bearing capacity



Maintenance-free system



Simple, fast fitting

SYSTEMONE



SYSTEM4



SYSTEM3



FRITSJURGENS SYSTEM4 (M42-SC 1000)

FritsJurgens System4 stands out from other systems by virtue of the unique way in which the door closes. This pivot door system with infinitely variable closing force is suitable for doors up to 150kg. The system has a hold position at 90 and -90 degrees.



Damped closure



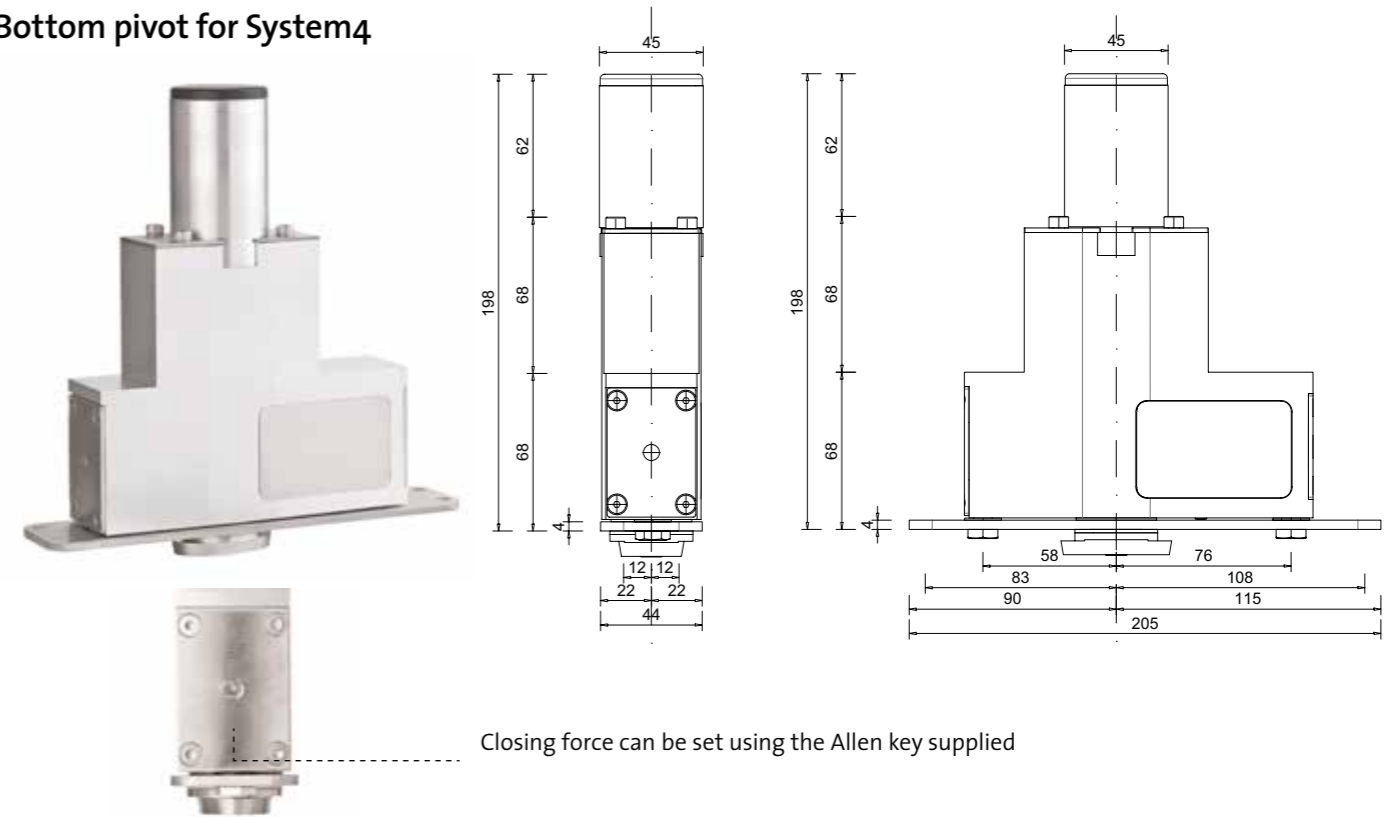
Adjustable closing force

Can be used with all types of FritsJurgens floor plates and top pivots.

Supplied as a complete set with top pivot, floor plate and ceiling plate and fitting accessories.

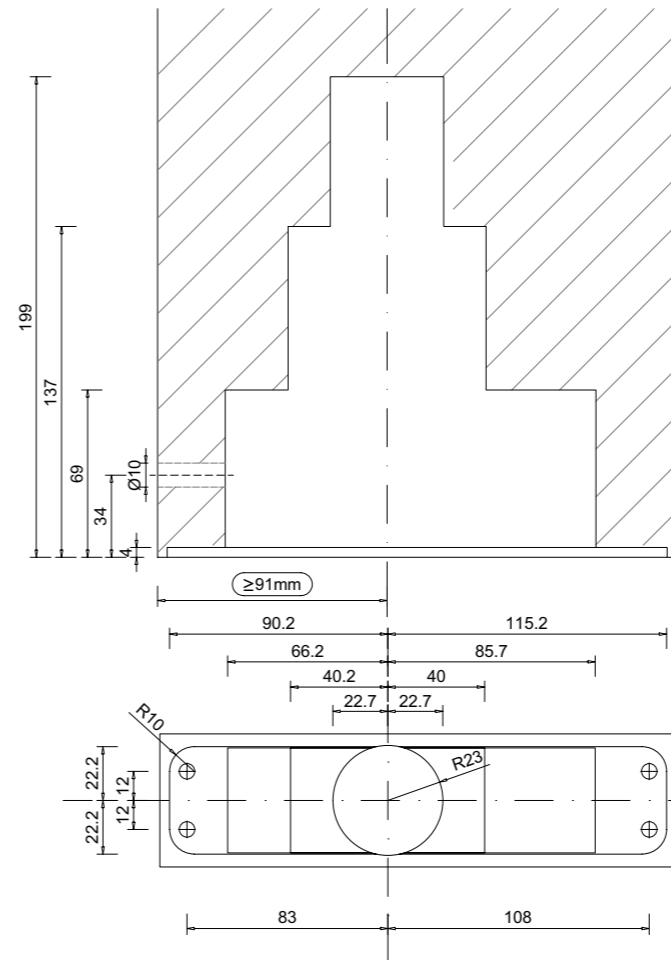
DIMENSIONS

Bottom pivot for System4

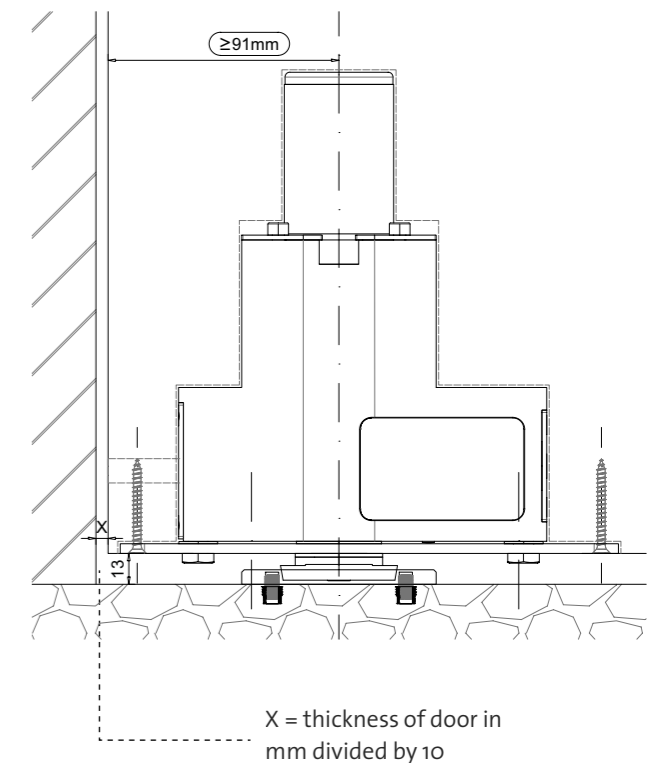


Closing force can be set using the Allen key supplied

MILLING DRAWING



DIMENSIONS AROUND DOOR





www.fritsjurgens.com