



FritsJurgens®

FritsJurgens Pivot Door System

# System3

## PIVOT DOOR SYSTEMS

The FritsJurgens pivot door hinges stand out from other hinges in that all the technology is in the door. This makes the interface with the floor and the ceiling subtle and stylish.



Nothing in the floor or the ceiling



Very high bearing capacity



Maintenance-free system



Simple, fast fitting

SYSTEM ONE



SYSTEM 4



SYSTEM 3



## FRITSJURGENS SYSTEM 3 (MPDS-S80 F9000)

FritsJurgens System 3 is characterised by a hold position at 0°, 90°, 180° and 270°. This means that the door is spring-loaded and closes from each 45° in both directions and stops in the desired direction.



Hold position at 0°, 90°, 180° and 270°



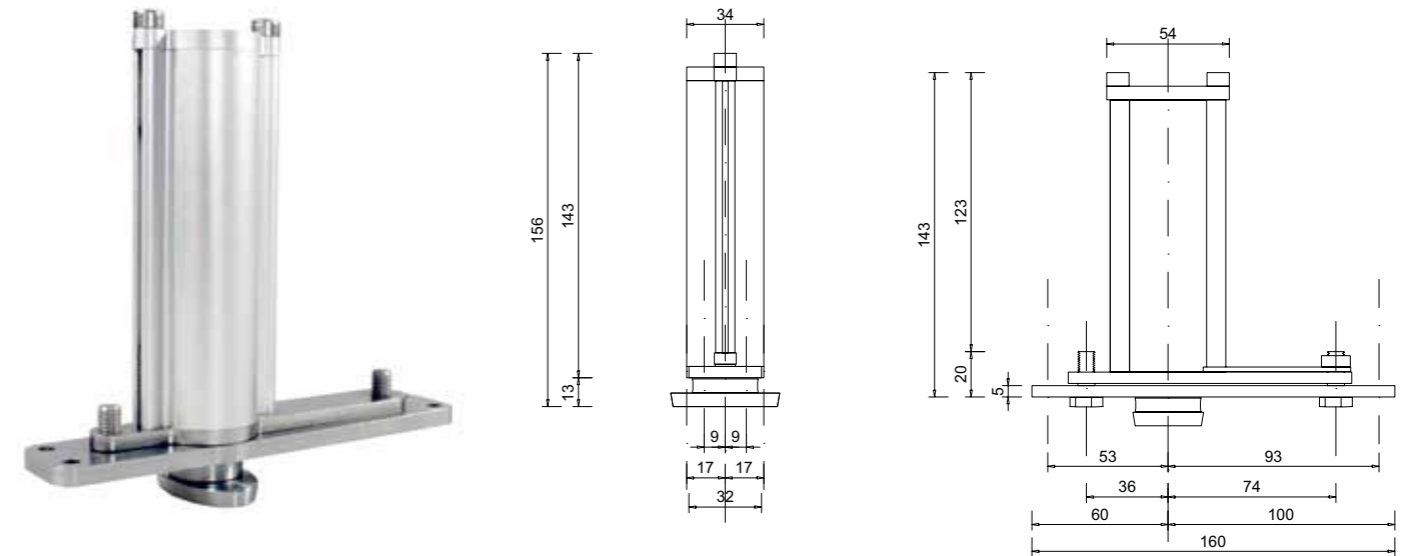
Can be used in doors upwards of 40 mm thick

Can be used with all types of FritsJurgens floor plates and top pivots.

Supplied as a complete set with top pivot, floor plate and ceiling plate and fitting accessories.

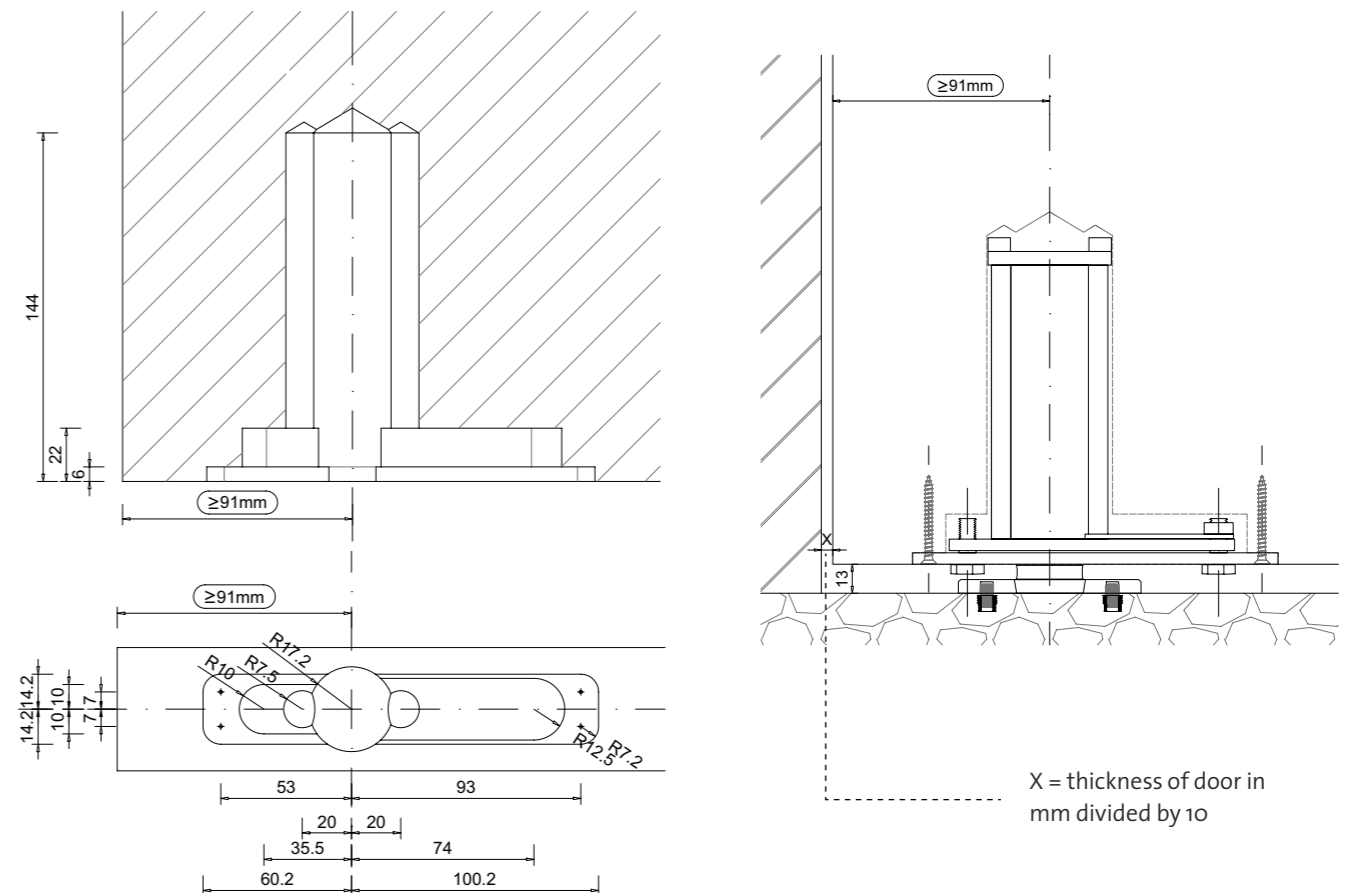
## DIMENSIONS

Bottom pivot for System 3



MILLING DRAWING

DIMENSIONS AROUND DOOR





[www.fritsjurgens.com](http://www.fritsjurgens.com)