



IMPORTANT INFORMATION FOR THE INSTALLATION OF YOUR KARIS 8 MM GLASS DOOR

HANDLING THE KARIS GLASS DOOR – A 2 PERSON JOB

Be careful unpacking the Karis door and inspect the glass door for any defects. If there are any defects whatsoever please contact your supplier immediately.

When handling the Karis glass door always use protective eye equipment, suitable clothes and especially hi-grip gloves that give you much more control.

The door is fully tempered to the latest European standards, which mean it has been toughened for general use. The tempering process creates a toughening in the glass through a heating and cooling process that makes it much more resistant to damage. However the **edges and corners** of the glass **are the least tough and therefore the most vulnerable to damage**. Because of this you should take EXTRA CARE to ensure the corners and edges do not bang against anything. This is particularly important when manoeuvring the door into position on the Eclisse sliding system: make sure the bottom corners do not come into contact with the floor always using a piece of cardboard or similar on the floor along the full width for the door to rest on.

Using gloves with a good surface grip, each person should take an end of the door when moving it. We have corner protectors which give some protection but these are just an extra help, you should be very careful at all times during the installation period. We will not be responsible for any chips, damage or complete shattering of the door during installation as we have no control over this.

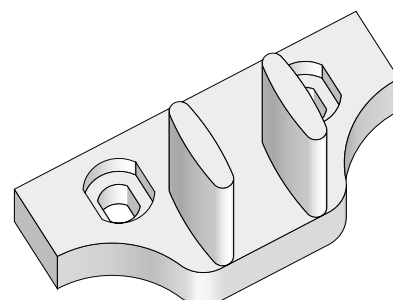
ATTACHING THE GLASS DOOR CLAMPS

Check the clamp gaskets and ensure they are clean and dust free. Install the clamps with the centre bolt 120mm from each end of the glass and ensure the glass is pushed up to the maximum position on the clamps on both sides. Close the clamps using the screws provided, the screws should be tightened to between 6 and 8 N/M2.

GLASS DOOR GUIDE

This takes the place of the wooden door guide supplied in the Eclisse kit box and should be installed at the entrance to the pocket at finished floor level.

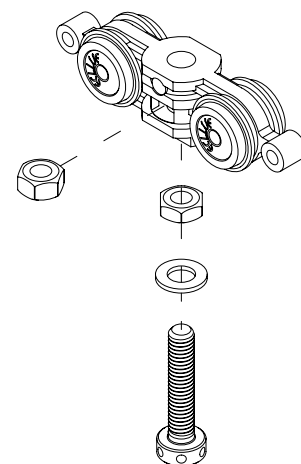
Screw the door guide into the finished floor EXACTLY in centre of the two metal uprights of the pocket entrance. It is important this is centred as the door will run along it.



INSERTING THE BOLTS INTO THE RUNNERS

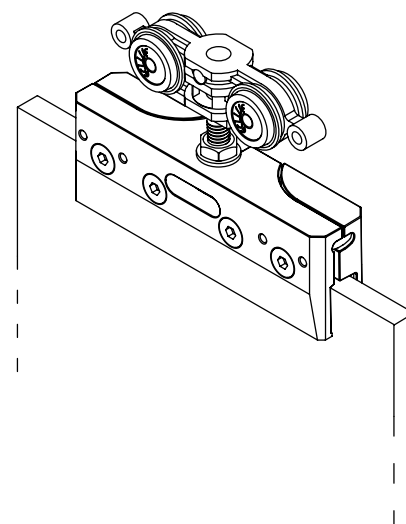
The capstan head bolts supplied with the glass clamps take the place of the original ones supplied with the runners.

Assemble into the runners in exactly the same way as the originals which are no longer required.



INSTALLATION

Making sure the clamp opening is the right way round to accept the carrier bolts, place the bottom of the door on the cardboard and raise the door to its full height. With the door at a slight angle raise the rear of the door slightly and insert the rear runner bolt head into the rear clamp at the top of the glass ensuring the nut and washer are just above the clamp. Insert the lower end of the glass into the glass floor guide and slide the glass slightly into the pocket. Particular care should be taken to ensure the bottom rear of the door is inserted into the door guide. Now insert the forward runner bolt into the forward clamp. Take a spirit level and check that the door is perfectly vertical (the bolts in the brackets can move slightly horizontally) and provisionally tighten the lock nuts.



Now test the smoothness of the running, the door should open and close at the same speed when using the same amount of push to operate it. If this is not the case, ie the door closes much faster than it

opens under the same conditions or visa versa then either the bolts are adjusted to different lengths or the Eclisse frame is not installed perfectly level. In either of these cases the answer is to adjust the bolts up or down as necessary. When you are satisfied it runs smoothly tighten fully the locknuts. You are now ready to install the Eclisse jamb kit.

LOWERING THE TOP JAMB

Should you wish to see less of the clamps at the top, this can be achieved by increasing the rebate at the top of the vertical pocket entrance jambs which allows the top horizontal jamb to sit lower. If you do this make sure your architraves will still cover the join between the ntop jamb and the metal frame.

CLEANING THE GLASS

We do not recommend the use of detergents or soaps when cleaning, all that is needed is water and a cotton cloth (lint free if possible).

VIDEO

A video is available at http://www.youtube.com/watch?v=IGM66fq_n6A